

FIG. 8-5 Boundary surfaces for ψ and ψ^2 for the (111) state of the particle in a cubic box. Nodal planes occur at each of the walls.

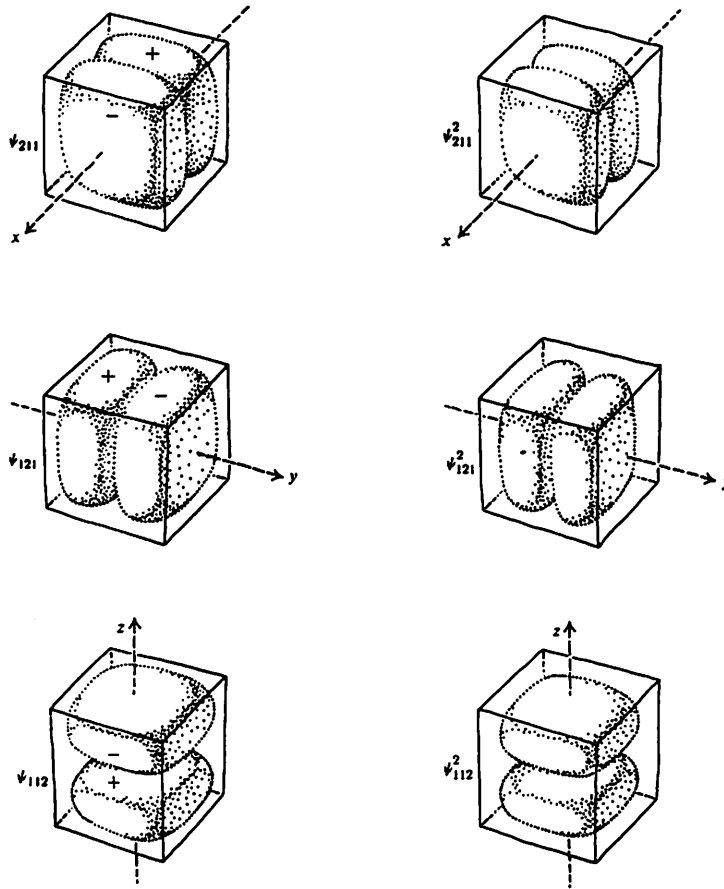


FIG. 8-7 Amplitude and probability density boundary surfaces for the particle in the cubic box in the degenerate quantum states (211), (121), and (112).

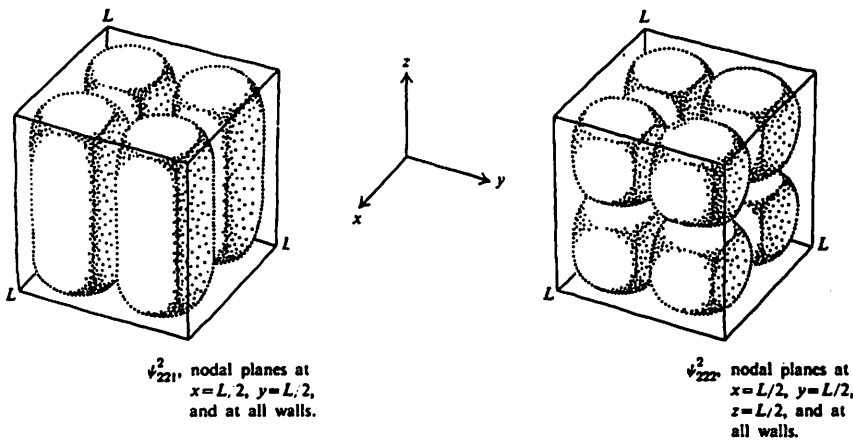


FIG. 8-8 Boundary surfaces for the probability density ψ^2 for the particle in a cubic box in the (221) and (222) quantum states. Maximum probability density occurs at the center of each of the lobes.